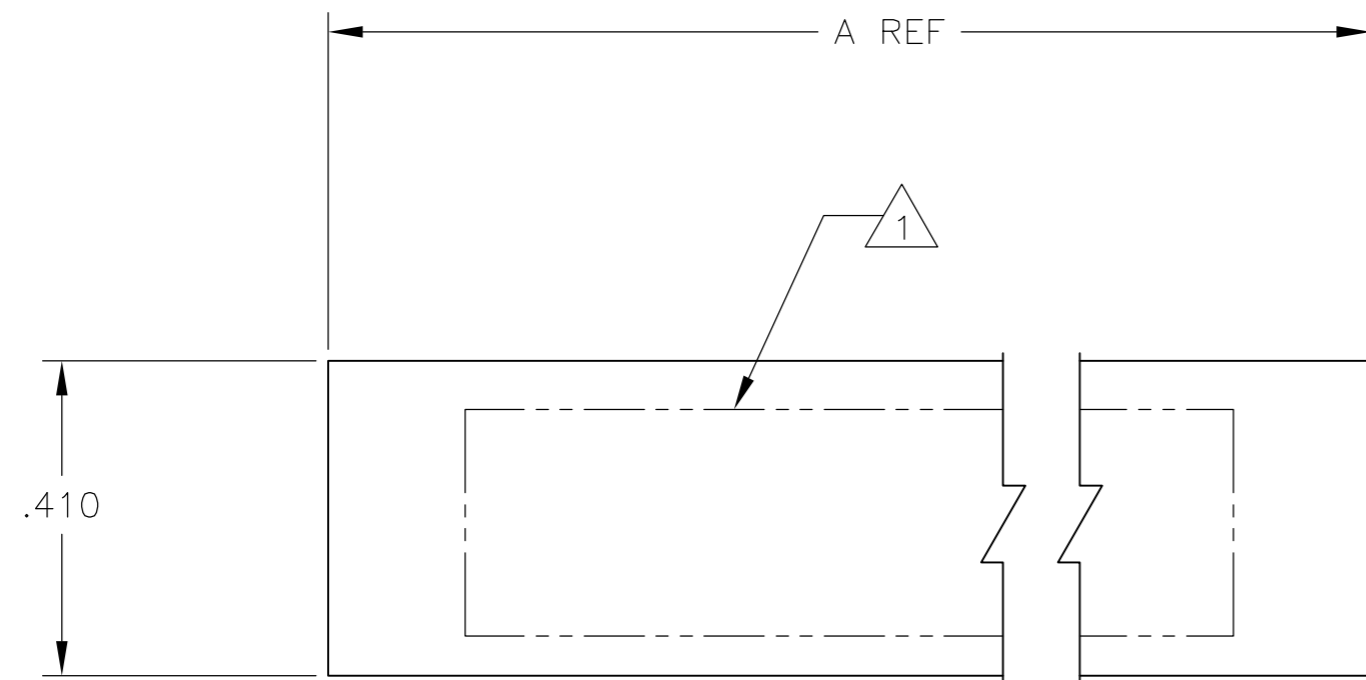
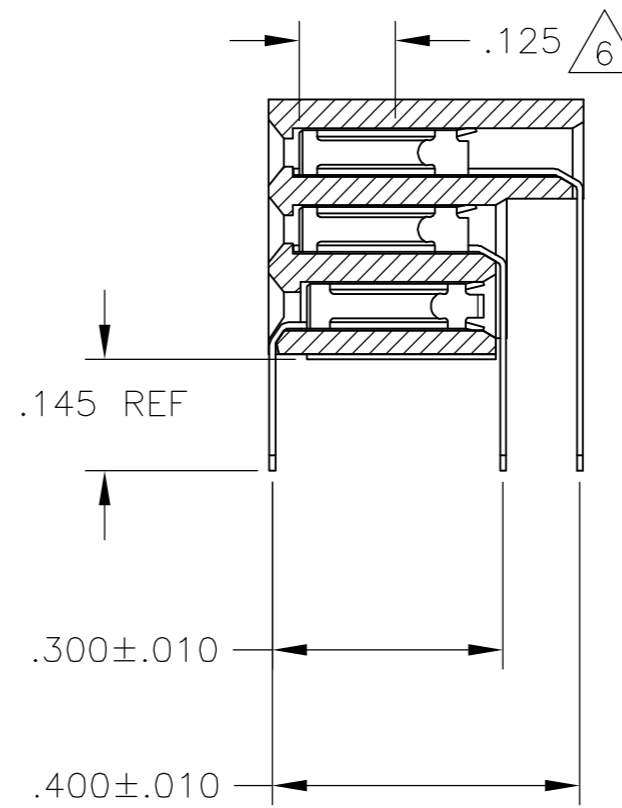
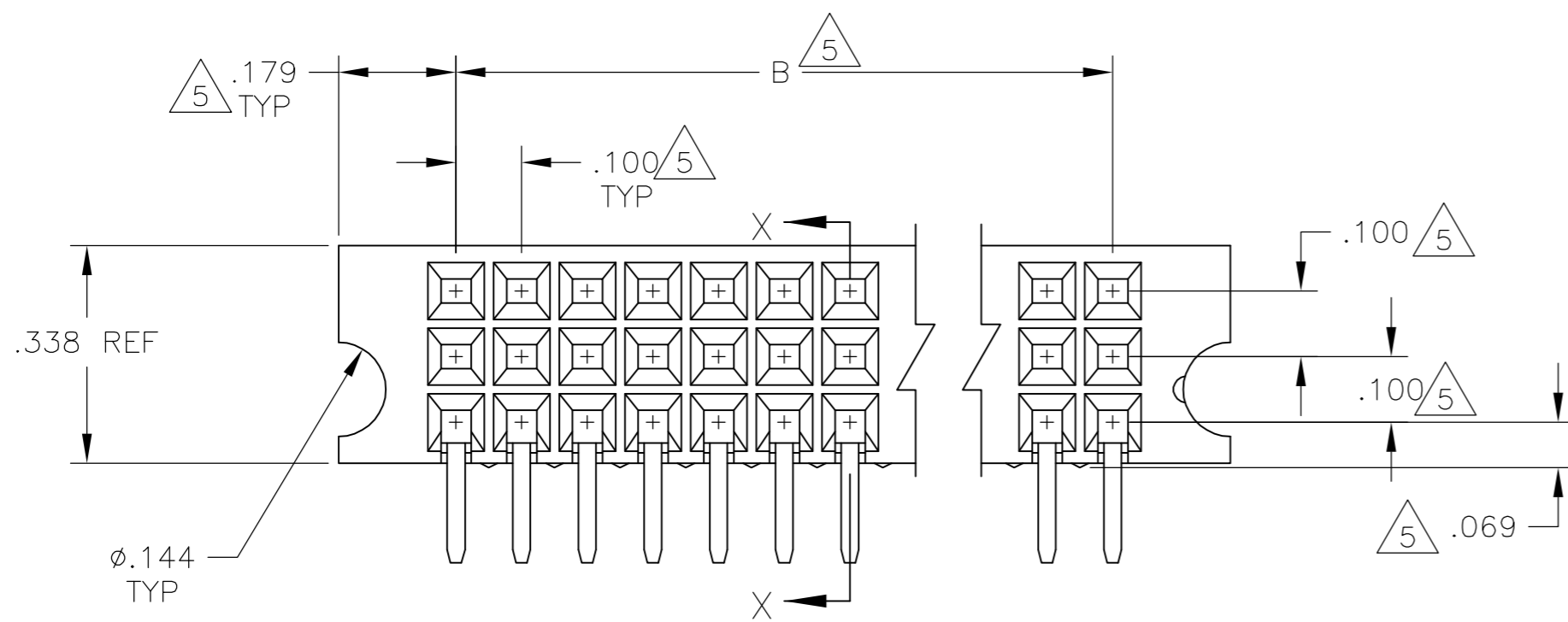


THIS DRAWING IS UNPUBLISHED. RELEASED FOR PUBLICATION
 © COPYRIGHT BY TYCO ELECTRONICS CORPORATION. ALL RIGHTS RESERVED.

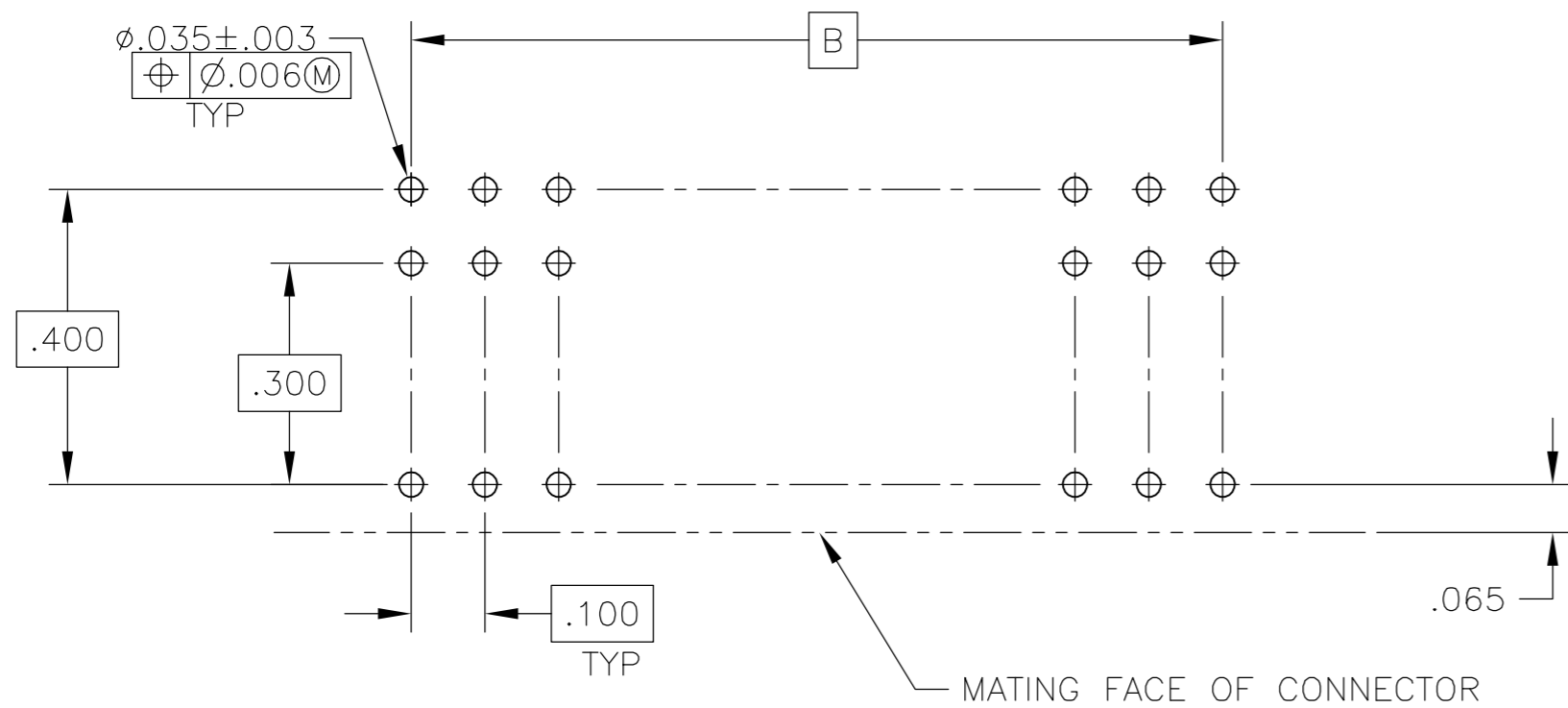
LOC		DIST		REVISIONS			
P	LTR	DESCRIPTION		DATE	DWN	APVD	
	E1	ECO-06-16525		02OCT06	MB	JO	



- 1 HOUSING: POLYPHENYLENE SULFIDE GLASS FILLED
CONTACT: PHOS BRONZE
- 2 CONTACT FINISH: DUPLEX PLATED .000015 GOLD IN CONTACT AREA,
.000050-.000100 BRIGHT TIN-LEAD ON SOLDER LEADS, ALL OVER .000050 NICKEL.
- 3 CONTACT FINISH: DUPLEX PLATED .000015 GOLD IN CONTACT AREA,
.000050-.000100 MATTE TIN ON SOLDER LEADS, ALL OVER .000050 NICKEL.
- 4 "AMP", "PART NUMBER", "DATE CODE" THE WORD "FRONT" AND "CSA"
LOGO WITH .062±.015 HIGH CHARACTERS.
- 5 THESE DIMENSIONS PERTAIN TO CAVITY CENTERLINES ONLY,
NOT TO CONTACT LOCATIONS
- 6 POINT OF MEASUREMENT FOR PLATING THICKNESS
(MEASURE INSIDE CONTACT BEAM)
- 7 ROHS 2002/95/EC COMPLIANT.



SECTION X-X



RECOMMENDED P.C. BOARD HOLE LAYOUT

3	6.900	7.258	210	5-535549-2
	3.900	4.258	120	5-535549-1
2	6.900	7.258	210	535549-2
	3.900	4.258	120	535549-1
FINISH	B	A	NO OF POSN	PART NUMBER

THIS DRAWING IS A CONTROLLED DOCUMENT.		DWN	M.BINNER	02OCT06	Tyco Electronics Corporation Harrisburg, PA 17105-3608	
DIMENSIONS: INCHES		CHK	J.OLSON	-	RECEPTACLE ASSEMBLY, MODII, CLOSED ENTRY, WITH GUIDE PIN EARS	
TOLERANCES UNLESS OTHERWISE SPECIFIED:		APVD	J.OLSON	-	NAME	
0 PLC ± -		PRODUCT SPEC	-	-		
1 PLC ± -		APPLICATION SPEC	-	-		
2 PLC ± -		WEIGHT	-	SIZE	CAGE CODE	DRAWING NO
3 PLC ± .005		FINISH	SEE TABLE	A2	00779	C=535549
4 PLC ± -		MATERIAL		CUSTOMER DRAWING		RESTRICTED TO
ANGLES ± -		MATERIAL		SCALE	SHEET	REV
FINISH		MATERIAL		4:1	1 of 1	E1